

INDUSTRIAL TOOL PRODUCTS

COUNTERSINK CAGES • REVERSE SPOTFACERS • CARBIDE TIPPED
STOP COUNTERSINKS • HOLLOW CUTTERS • RIVET SHAVERS
COUNTERBORES • PAINT CUTTERS • COUNTERSINKS



INDUSTRIAL TOOL PRODUCTS

Atıfbey Mah. 61 Sk. No:26 Gaziemir-İzmir-Türkiye

Tel: +90 (0) 507 754 35 45 • Fax: +90 (0) 232 99 99 17

Email: info@itp.com.tr

www.itp.com.tr





INDUSTRIAL TOOL PRODUCTS



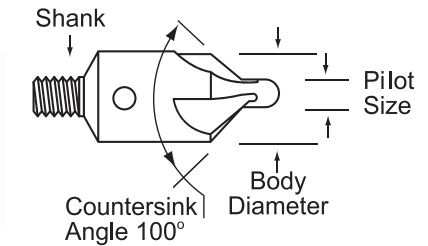
TABLE OF CONTENTS

High Speed Steel Stop Countersinks.....	3
High Speed Steel Stop Countersinks.....	4
High Speed Steel Stop Countersinks.....	5
High Speed Steel Stop Countersinks 82° & 120°.....	6
Pilot Bonding Brushes.....	6
Carbide Tipped Stop Countersinks with Integral Pilot.....	7
Carbide Tipped Stop Countersinks with Integral Pilot.....	8
Carbide Tipped Stop Countersinks with Replaeable Pilots.....	8
Pilots for Carbide Tipped Stop Countersinks.....	8
Solid Carbide Stop Countersinks -100°.....	9
Threaded Shank Chatterless Countersinks.....	10
High Speed Steel 6 Flüte Chatterless Countersinks.....	10
High Speed Steel Hollow Cutters.....	10
Rivet Shavers.....	10
High Speed Steel Counterbores with 1/4 Shank.....	11
High Speed Steel Counterbores - No Radius.....	11
Counterbore Pilots.....	12
Reverse Spotfacers / Counterbores.....	13
Plain Arbors for Reverse Spotfacers / Counterbores.....	13
Paint Cutters.....	14
Paint Cutter Arbor and Drill Extensions.....	14
Micro-Stop Countersink Cages.....	15
Micro-Stop Countersink Cages.....	16
Micro-Stop Countersink Cages Needle Bearing.....	17
Nova® Compact Pistol Grip Drill.....	18
Nova® 700 RPM High Torque Pistol Grip Drill.....	18
Nova® Complete Motor Mounted Micro-Stop Cage.....	19

HIGH SPEED STEEL STOP COUNTERSINKS

Three Flute, Integral Pilot, 1/4-28 Threaded Shank, 100°

Countersink cutters may be used in all popular adjustable or micro-stop countersinking units utilizing a threaded shank drive. Made from the finest high speed tool Steel. Precision ground to exacting tolerances and form relieved to insure concentricity of countersink angle.



5/16

PART NUMBER	PILOT SIZE	DECIMAL EQUIVALENT INCHES	BODY DIAMETER INCHES	SHANK SIZE	UNIT PRICE (\$)
18-570	40	.0980	5/16	1/4-28	\$ 11.98
18-570	30	.1285	5/16	1/4-28	11.98
18-570	21	.1590	5/16	1/4-28	11.98
18-570	13	.1850	5/16	1/4-28	11.98
18-570	10	.1935	5/16	1/4-28	11.98

3/8

PART NUMBER	PILOT SIZE	DECIMAL EQUIVALENT INCHES	BODY DIAMETER INCHES	SHANK SIZE	UNIT PRICE (\$)
27-435	3/32	.0938	3/8	1/4-28	\$ 10.68
27-201	40	.0980	3/8	1/4-28	10.68
27-221	1/8	.1250	3/8	1/4-28	10.68
27-202	30	.1285	3/8	1/4-28	10.68
27-203	27	.1440	3/8	1/4-28	10.68
27-218	26	.1470	3/8	1/4-28	12.68
27-211	5/32	.1562	3/8	1/4-28	10.68
27-204	21	.1590	3/8	1/4-28	10.68
27-205	20	.1610	3/8	1/4-28	10.68
27-206	19	.1660	3/8	1/4-28	12.68
27-207	16	.1770	3/8	1/4-28	10.68
27-208	13	.1850	3/8	1/4-28	10.68
27-212	3/16	.1875	3/8	1/4-28	10.68
27-209	12	.1890	3/8	1/4-28	10.68
27-210	10	.1935	3/8	1/4-28	10.68
27-215	8	.1990	3/8	1/4-28	12.68
27-439	7/32	.2187	3/8	1/4-28	12.68
27-216	"D"	.2460	3/8	1/4-28	12.68
27-213	1/4	.2500	3/8	1/4-28	10.68

OTHER SIZES AVAILABLE, PRICE ON APPLICATION



INDUSTRIAL TOOL PRODUCTS

Atıfbey Mah. 61 Sk. No:26 Gaziemir-İzmir-Türkiye
 Tel: +90 507 754 35 45 • Fax: +90 (0) 232 99 99 17
 Email: info@itp.com.tr
 www.itp.com.tr



INDUSTRIAL TOOL PRODUCTS

Atıfbey Mah. 61 Sk. No:26 Gaziemir-İzmir-Türkiye
 Tel: +90 507 754 35 45 • Fax: +90 (0) 232 99 99 17
 Email: info@itp.com.tr
 www.itp.com.tr

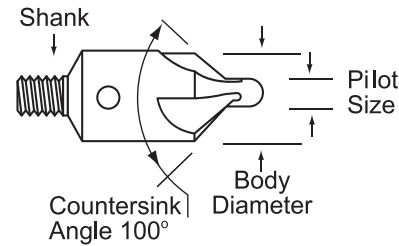
HIGH SPEED STEEL STOP COUNTERSINKS

Three Flute, Integral Pilot, 1/4-28 Threaded Shank, 100°

Countersink cutters may be used in ali popular adjustable or micro-stop countersinking units utilizing a threaded shank drive. Made from the finest high speed tool Steel. Precision ground to exacting tolerances and form relieved to insure concentricity of countersink angle.

7/16

PART NUMBER	PILOT SIZE	DECIMAL EQUIVALENT INCHES	BODY DIAMETER INCHES	SHANK SIZE	UNIT PRICE (\$)
27-222	3/32	.0938	7/16	1/4-28	\$ 10.78
27-226	40	.0980	7/16	1/4-28	10.78
27-233	1/8	.1250	7/16	1/4-28	10.78
27-227	30	.1285	7/16	1/4-28	10.78
27-236	27	.1440	7/16	1/4-28	12.78
27-235	5/32	.1562	7/16	1/4-28	10.78
27-228	21	.1590	7/16	1/4-28	10.78
27-234	19	.1660	7/16	1/4-28	12.78
27-237	13	.1850	7/16	1/4-28	10.78
27-232	3/16	.1875	7/16	1/4-28	10.78
27-225	12	.1890	7/16	1/4-28	12.78
27-224	11	.1910	7/16	1/4-28	12.78
27-229	10	.1935	7/16	1/4-28	10.78
27-199	"D"	.2460	7/16	1/4-28	12.78
27-230	1/4	.2500	7/16	1/4-28	10.78
27-231	5/16	.3125	7/16	1/4-28	10.78



1/2

PART NUMBER	PILOT SIZE	DECIMAL EQUIVALENT INCHES	BODY DIAMETER INCHES	SHANK SIZE	UNIT PRICE (\$)
27-260	3/32	.0938	1/2	1/4-28	\$ 10.99
27-251	40	.0980	1/2	1/4-28	10.99
27-261	1/8	.1250	1/2	1/4-28	10.99
27-252	30	.1285	1/2	1/4-28	10.99
27-253	27	.1440	1/2	1/4-28	10.99
27-262	5/32	.1562	1/2	1/4-28	10.99
27-254	21	.1590	1/2	1/4-28	10.99
27-269	20	.1610	1/2	1/4-28	10.99
27-298	19	.1660	1/2	1/4-28	12.99
27-255	16	.1770	1/2	1/4-28	10.99
27-256	13	.1850	1/2	1/4-28	10.99
27-263	3/16	.1875	1/2	1/4-28	10.99
27-268	12	.1890	1/2	1/4-28	10.99
27-243	11	.1910	1/2	1/4-28	10.99
27-257	10	.1935	1/2	1/4-28	10.99
27-258	8	.1990	1/2	1/4-28	10.99
27-245	7	.2010	1/2	1/4-28	12.99
27-242	6	.2040	1/2	1/4-28	10.99
27-259	5	.2055	1/2	1/4-28	10.99
27-241	4	.2090	1/2	1/4-28	12.99
27-244	3	.2130	1/2	1/4-28	10.99
27-264	7/32	.2188	1/2	1/4-28	10.99
27-240	"A"	.2340	1/2	1/4-28	12.99
27-273	"B"	.2380	1/2	1/4-28	12.99
27-270	"D"	.2460	1/2	1/4-28	10.99
27-265	1/4	.2500	1/2	1/4-28	10.99
27-238	"E"	.2570	1/2	1/4-28	12.99
27-246	"G"	.2610	1/2	1/4-28	10.99
27-247	"J"	.2770	1/2	1/4-28	12.99
27-239	9/32	.2812	1/2	1/4-28	12.99
27-271	"N"	.3020	1/2	1/4-28	12.99
27-272	-	.3090	1/2	1/4-28	12.99
27-266	5/16	.3125	1/2	1/4-28	10.99
27-248	"P"	.3230	1/2	1/4-28	12.99
27-249	"R"	.3390	1/2	1/4-28	12.99
27-267	3/8	.3750	1/2	1/4-28	10.99

OTHER SIZES AVAILABLE, PRICE ON APPLICATION

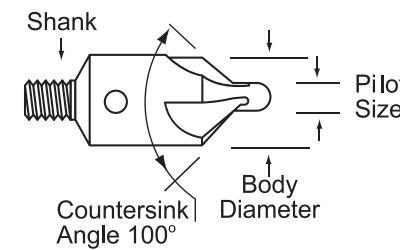
HIGH SPEED STEEL STOP COUNTERSINKS

Three Flute, Integral Pilot, 1/4-28 Threaded Shank, 100°

Countersink cutters may be used in ali popular adjustable or micro-stop countersinking units utilizing a threaded shank drive. Made from the finest high speed tool Steel. Precision ground to exacting tolerances and form relieved to insure concentricity of countersink angle.

9/16

PART NUMBER	PILOT SIZE	DECIMAL EQUIVALENT INCHES	BODY DIAMETER INCHES	SHANK SIZE	UNIT PRICE (\$)
27-333	1/4	.2500	9/16	1/4-28	\$ 21.98
27-331	.390	.3900	9/16	1/4-28	21.98
27-332	.405	.4050	9/16	1/4-28	21.98



5/8

PART NUMBER	PILOT SIZE	DECIMAL EQUIVALENT INCHES	BODY DIAMETER INCHES	SHANK SIZE	UNIT PRICE (\$)
27-276	40	.0980	5/8	1/4-28	\$ 16.98
27-277	30	.1285	5/8	1/4-28	16.98
27-275	27	.1440	5/8	1/4-28	18.98
27-278	21	.1590	5/8	1/4-28	16.98
27-284	13	.1850	5/8	1/4-28	18.98
27-283	3/16	.1875	5/8	1/4-28	16.98
27-279	10	.1935	5/8	1/4-28	16.98
27-285	"D"	.2460	5/8	1/4-28	16.98
27-280	1/4	.2500	5/8	1/4-28	16.98
27-292	"G"	.2610	5/8	1/4-28	16.98
27-294	"J"	.2770	5/8	1/4-28	18.98
27-286	-	.3090	5/8	1/4-28	16.98
27-281	5/16	.3125	5/8	1/4-28	16.98
27-287	-	.3250	5/8	1/4-28	18.98
27-293	"R"	.3390	5/8	1/4-28	18.98
27-288	-	.3450	5/8	1/4-28	18.98
27-297	-	.3610	5/8	1/4-28	18.98
27-289	-	.3710	5/8	1/4-28	18.98
27-282	3/8	.3750	5/8	1/4-28	16.98
27-290	"Y"	.4040	5/8	1/4-28	18.98

3/4

PART NUMBER	PILOT SIZE	DECIMAL EQUIVALENT INCHES	BODY DIAMETER INCHES	SHANK SIZE	UNIT PRICE (\$)
27-313	3/16	.1875	3/4	3/8-24	\$ 43.97
27-309	10	.1935	3/4	3/8-24	43.97
27-301	"D"	.2460	3/4	3/8-24	41.98
27-310	1/4	.2500	3/4	3/8-24	41.98
27-311	5/16	.3125	3/4	3/8-24	41.98
27-312	3/8	.3750	3/4	3/8-24	41.98
27-314	7/16	.4375	3/4	3/8-24	41.98

OTHER SIZES AVAILABLE, PRICE ON APPLICATION



INDUSTRIAL TOOL PRODUCTS

Atıfbey Mah. 61 Sk. No:26 Gaziemir-İzmir-Türkiye
Tel: +90 507 754 35 45 • Fax: +90 (0) 232 99 99 17
Email: info@itp.com.tr
www.itp.com.tr



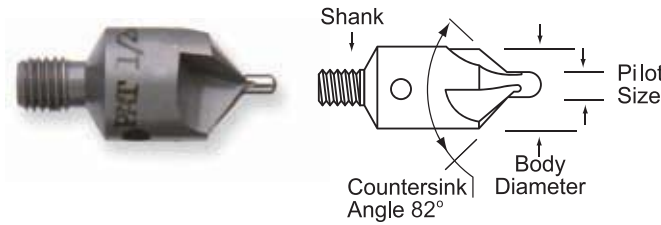
INDUSTRIAL TOOL PRODUCTS

Atıfbey Mah. 61 Sk. No:26 Gaziemir-İzmir-Türkiye
Tel: +90 507 754 35 45 • Fax: +90 (0) 232 99 99 17
Email: info@itp.com.tr
www.itp.com.tr

HIGH SPEED STEEL STOP COUNTERSINKS 82° & 120°

Three Flute, Integral Pilot, 1/4-28 Threaded Shank, 82°

Countersink cutters may be used in all popular adjustable or micro-stop countersinking units utilizing a threaded shank drive. Made from the finest high speed tool Steel. Precision ground to exacting tolerances and form relieved to insure concentricity of countersink angle.



82°
1/2

PART NUMBER	PILOT SIZE	DECIMAL EQUIVALENT INCHES	BODY DIAMETER INCHES	SHANK SIZE	UNIT PRICE (\$)
18-038	#40	.0980	1/2	1/4-28	\$ 15.88
18-042	#30	.1280	1/2	1/4-28	15.88
18-021	#27	.1440	1/2	1/4-28	15.88
18-043	#21	.1590	1/2	1/4-28	15.88
18-045	3/16	.1875	1/2	1/4-28	15.88
18-048	#13	.1850	1/2	1/4-28	15.88
18-044	#10	.1935	1/2	1/4-28	15.88
18-027	1/4	.2500	1/2	1/4-28	15.88

NEW ITEM
120°
1/2

PART NUMBER	PILOT SIZE	DECIMAL EQUIVALENT INCHES	BODY DIAMETER INCHES	SHANK SIZE	UNIT PRICE
18-049	#40	.0980	1/2	1/4-28	\$ 15.88
18-050	#30	.1280	1/2	1/4-28	15.88
18-051	#21	.1590	1/2	1/4-28	15.88
18-052	#10	.1935	1/2	1/4-28	15.88
18-053	1/4	.2500	1/2	1/4-28	15.88

PILOT BONDING BRUSHES

Pilot bonding brushes are used for removing paint, primer and rust from around bolt or rivet holes.



PART NUMBER	BODY SIZE	PILOT SIZE	PILOT DIAMETER	UNIT PRICE
32-001	1/2	3/2 (#40)	.0938	\$ 29.89
32-002	1/2	1/8 (#30)	.1250	29.89
32-003	1/2	5/32 (#21)	.1562	29.89
32-004	1/2	3/16 (#10)	.1875	29.89
32-005	1/2	1/4	.2500	29.89

.005 Stainless Wire Brush Material

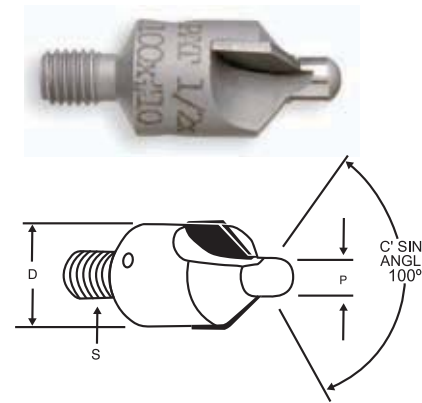
MFS = 20,000 RPM

OTHER SIZES AVAILABLE ON REQUEST

CARBIDE TIPPED STOP COUNTERSINKS WITH INTEGRAL PILOT

100° Countersink Angle, 2 Flute Integral Pilot, 1/4-28 Threaded Shank

Carbide tipped countersinks are designed for cutting highly abrasive materials such as composites and difficult to machine materials where longer tool life is desired. The tool body is made of high-speed Steel.



3/8

PART NUMBER	PILOT SIZE	DECIMAL EQUIVALENT INCHES	BODY DIAMETER INCHES	SHANK SIZE	UNIT PRICE (\$)
36-542	3/32	.0938	3/8	1/4-28	\$ 50.99
36-548	#40	.0980	3/8	1/4-28	50.99
36-545	1/8	.1250	3/8	1/4-28	50.99
36-543	#30	.1280	3/8	1/4-28	50.99
36-546	#27	.1440	3/8	1/4-28	50.99
36-547	5/32	.1560	3/8	1/4-28	50.99
36-541	#21	.1590	3/8	1/4-28	50.99
36-544	#20	.1610	3/8	1/4-28	50.99
36-549	#16	.1770	3/8	1/4-28	50.99
36-550	#13	.1850	3/8	1/4-28	50.99
36-551	3/16	.1875	3/8	1/4-28	50.99
36-540	#10	.1930	3/8	1/4-28	50.99
36-552	1/4	.2500	3/8	1/4-28	50.99

1/2

PART NUMBER	PILOT SIZE	DECIMAL EQUIVALENT INCHES	BODY DIAMETER INCHES	SHANK SIZE	UNIT PRICE (\$)
36-909	3/32	.0938	1/2	1/4-28	\$ 51.98
36-453	#40	.0980	1/2	1/4-28	51.98
36-556	1/8	.1250	1/2	1/4-28	51.98
36-452	#30	.1280	1/2	1/4-28	51.98
36-503	#27	.1440	1/2	1/4-28	51.98
36-553	5/32	.1560	1/2	1/4-28	51.98
36-557	#21	.1590	1/2	1/4-28	51.98
36-451	#20	.1610	1/2	1/4-28	51.98
36-502	#16	.1770	1/2	1/4-28	51.98
36-554	#13	.1850	1/2	1/4-28	51.98
36-539	3/16	.1875	1/2	1/4-28	51.98
36-789	#12	.1890	1/2	1/4-28	51.98
36-450	#11	.1910	1/2	1/4-28	51.98
36-449	#10	.1930	1/2	1/4-28	51.98
36-448	#8	.1990	1/2	1/4-28	51.98
36-558	#7	.2010	1/2	1/4-28	51.98
36-555	#6	.2040	1/2	1/4-28	51.98
36-501	#5	.2050	1/2	1/4-28	51.98
36-447	7/32	.2180	1/2	1/4-28	51.98
36-559	"D"	.2460	1/2	1/4-28	51.98
36-560	1/4	.2500	1/2	1/4-28	51.98
36-561	"G"	.2610	1/2	1/4-28	51.98
36-562	5/16	.3125	1/2	1/4-28	51.98

OTHER SIZES AVAILABLE, PRICE ON APPLICATION



INDUSTRIAL TOOL PRODUCTS

Atıfbey Mah. 61 Sk. No:26 Gaziemir-İzmir-Türkiye
Tel: +90 507 754 35 45 • Fax: +90 (0) 232 99 99 17
Email: info@itp.com.tr
www.itp.com.tr



INDUSTRIAL TOOL PRODUCTS

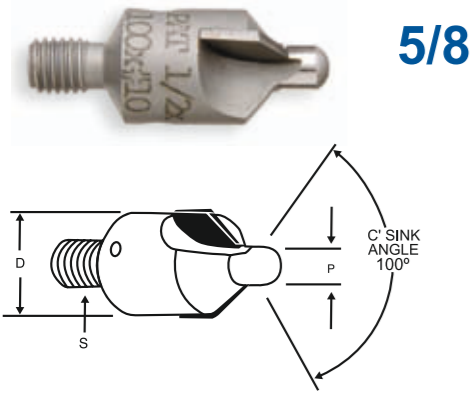
Atıfbey Mah. 61 Sk. No:26 Gaziemir-İzmir-Türkiye
Tel: +90 507 754 35 45 • Fax: +90 (0) 232 99 99 17
Email: info@itp.com.tr
www.itp.com.tr

CARBIDE TIPPED STOP COUNTERSINKS WITH INTEGRAL PILOT



100° Countersink Angle, 2 Flute Integral Pilot, 1/4-28 Threaded Shank

Carbide tipped countersinks are designed for cutting highly abrasive materials such as composites and difficult to machine materials where longer tool life is desired. The tool body is made of high-speed Steel.

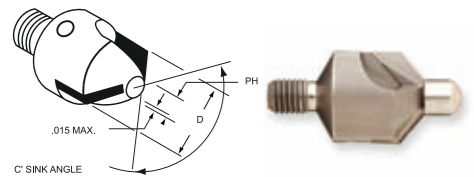


PART NUMBER	PILOT SIZE	DECIMAL EQUIVALENT INCHES	BODY DIAMETER INCHES	SHANK SIZE	UNIT PRICE (\$)
36-563	#40	.0980	5/8	1/4-28	\$ 63.89
36-564	#30	.1280	5/8	1/4-28	63.89
36-565	#21	.1590	5/8	1/4-28	63.89
36-567	"D"	.2460	5/8	1/4-28	63.89
36-568	1/4	.2500	5/8	1/4-28	63.89
36-569	"G"	.2610	5/8	1/4-28	63.89
36-560	5/16	.3125	5/8	1/4-28	63.89
36-566	#10	.1930	5/8	1/4-28	63.89

CARBIDE TIPPED STOP COUNTERSINKS WITH REPLACEABLE PILOTS

100° Countersink Angle, Replaceable Pilot, 1/4-28 Threaded Shank

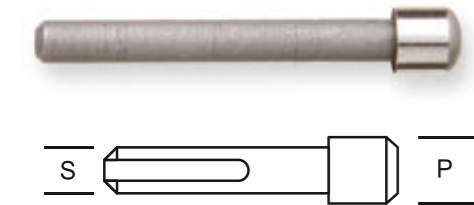
Carbide tipped countersinks are designed for cutting highly abrasive materials such as composites and difficult to machine materials where longer tool life is desired. Replaceable pilot construction allows for replacement of damaged pilots and substitution of various pilot diameters with the same countersink.



PART NUMBER	BODY DIAMETER	PILOT HOLE	NUMBER OF FLUTES	SHANK SIZE	UNIT PRICE (\$)
15-001	1/2	3/32	2	1/4-28	\$ 71.89
15-002	5/8	1/8	2	1/4-28	73.89

PILOTS FOR CARBIDE TIPPED STOP COUNTERSINKS

These pilots are designed for use with the Carbide tipped countersinks listed above. Made from the finest quality tool Steel, heat treated and precision ground to exacting size and concentricity.



PART NUMBER	SHANK DIAMETER	PILOT SIZE	UNIT PRICE (\$)
15-002	3/32	#30	\$ 15.98
15-003	3/32	#21	15.98
15-004	3/32	#10	15.98
15-005	3/32	#12	15.98
15-006	3/32	1/4	15.98
15-112	3/32	#13	15.98
15-123	3/32	"D"	24.98
15-126	3/32	"G"	24.98
15-127	3/32	#8	15.98
15-107	1/8	#30	9.98
15-108	1/8	#21	15.98
15-109	1/8	#12	15.98
15-110	1/8	#10	15.98
15-111	1/8	1/4	15.98

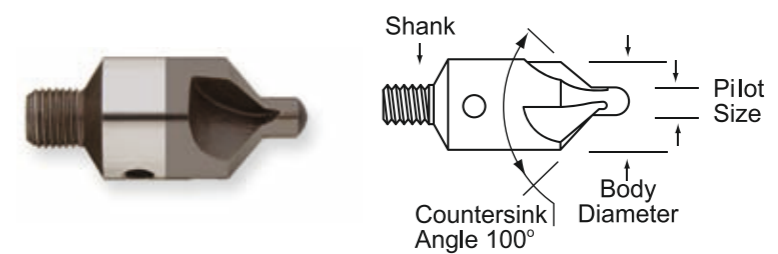
OTHER SIZES AVAILABLE, PRICE ON APPLICATION

SOLID CARBIDE STOP COUNTERSINKS - 100°



Solid Carbide Head VVelded to a Steel 1/4-28 Threaded Shank

Three flute design gives excellent wear resistance to highly abrasive materials and difficult to machine materials. Precision ground for concentricity.



3/8

PART NUMBER	PILOT SIZE	DECIMAL EQUIVALENT INCHES	BODY DIAMETER INCHES	SHANK SIZE	UNIT PRICE (\$)
36-700	#40	.0900	3/8	1/4-28	\$ 88.99
36-701	#30	.1285	3/8	1/4-28	88.99
36-702	#21	.1850	3/8	1/4-28	88.99
36-703	#20	.1610	3/8	1/4-28	88.99
36-704	#10	.1935	3/8	1/4-28	88.99

OTHER SIZES AVAILABLE, PRICE ON APPLICATION

1/2

PART NUMBER	PILOT SIZE	DECIMAL EQUIVALENT INCHES	BODY DIAMETER INCHES	SHANK SIZE	UNIT PRICE (\$)
36-710	#40	.0980	1/2	1/4-28	\$ 98.97
36-711	1/8	.1250	1/2	1/4-28	98.97
36-712	#30	.1285	1/2	1/4-28	98.97
36-713	#21	.1850	1/2	1/4-28	98.97
36-714	#20	.1610	1/2	1/4-28	98.97
36-715	#13	.1850	1/2	1/4-28	98.97
36-716	3/16	.1875	1/2	1/4-28	98.97
36-717	#10	.1635	1/2	1/4-28	98.97
36-718	"D"	.2460	1/2	1/4-28	98.97
36-719	1/4	.2500	1/2	1/4-28	98.97

OTHER SIZES AVAILABLE, PRICE ON APPLICATION



INDUSTRIAL TOOL PRODUCTS

Atıfbey Mah. 61 Sk. No:26 Gaziemir-İzmir-Türkiye
Tel: +90 507 754 35 45 • Fax: +90 (0) 232 99 99 17
Email: info@itp.com.tr
www.itp.com.tr



INDUSTRIAL TOOL PRODUCTS

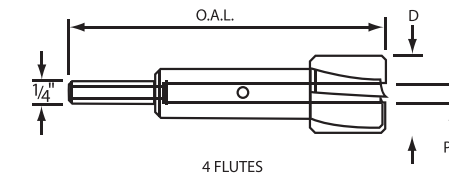
Atıfbey Mah. 61 Sk. No:26 Gaziemir-İzmir-Türkiye
Tel: +90 507 754 35 45 • Fax: +90 (0) 232 99 99 17
Email: info@itp.com.tr
www.itp.com.tr

THREADED SHANK CHATTERLESS COUNTERSINKS

PART NUMBER	SIZE	SHANK	UNIT PRICE (\$)
43-653	5/16" X 100'	1/4-28	\$ 27.48
43-652	3/8" X 100'	1/4-28	34.97



HIGH SPEED STEEL COUNTERBORES WITH 1/4 SHANK



HIGH SPEED STEEL 6 FLUTE CHATTERLESS COUNTERSINKS

PART NUMBER	SIZE	SHANK DIAMETER	SHANK LENGTH	OVERALL LENGTH	UNIT PRICE (\$)
33-503	1/4" X 100°	1/4	-	2	\$ 13.48
33-504	5/16" X 100°	1/4	1	2	13.98
33-505	3/8" X 100°	1/4	1	2	14.98
33-506	1/2" X 100°	1/4	1	2	18.38
33-507	5/8" X 100°	3/8	1-1/8	2-1/2	29.89
33-508	3/4" X 100°	3/8	1-5/16	2-3/4	39.08
33-510	1/4" X 82°	1/4	-	2	14.98
33-511	5/16" X 82°	1/4	1	2	17.47
33-512	3/8" X 82°	1/4	1	2	16.48
33-513	1/2" X 82°	1/4	1	2	18.49



HIGH SPEED STEEL HOLLOW CUTTERS

Designed to fit Standard stop countersinking units so that their cutting depth can be controlled. These tools are used for collar removal on Hi-Shear fasteners. New improved stronger 4 flute design for longer tool life.

PART NUMBER	"D"	"A"	FASTENER SIZE	FASTENER TYPE	UNIT PRICE (\$)
29-908X	.375	.1230	1/8	Hi-Shear	\$ 12.98
29-909X	.375	.1540	5/32	Hi-Shear	13.98
29-910X	.438	.1855	3/16	Hi-Shear	13.98
29-911X	.500	.2460	1/4	Hi-Shear	13.98
29-912X	.562	.3085	5/16	Hi-Shear	15.18
29-913X	.625	.3730	3/8	Hi-Shear	15.98

1/4 - 28 Thread



RIVET SHAVERS

2 Flute Carbide Tipped For Long Cutting Life

PART NUMBER	BODY DIAMETER	SHANK	UNIT PRICE (\$)
30-601	5/16	1/4-28	\$ 43.48
30-602	3/8	1/4-28	42.38
30-603	7/16	1/4-28	44.89
30-604	1/2	1/4-28	48.68
30-605	9/16	1/4-28	45.79
30-606	5/8	1/4-28	53.28

1/4 - 28 Thread



HIGH SPEED STEEL COUNTERBORES - NO RADIUS

PART NUMBER	SIZE	PILOT HOLE	OVERALL LENGTH	FLUTE LENGTH	UNIT PRICE (\$)
18-207SQ	29/64	1/8	2-13/16	5/8	\$ 33.28
18-211SQ	9/16	1/8	2-13/16	5/8	34.18

SUPPLIED WITH NO RADIUS

SUPPLIED WITH .032 RADIUS



INDUSTRIAL TOOL PRODUCTS

Atıfbey Mah. 61 Sk. No:26 Gaziemir-İzmir-Türkiye
Tel: +90 507 754 35 45 • Fax: +90 (0) 232 99 99 17
Email: info@itp.com.tr
www.itp.com.tr

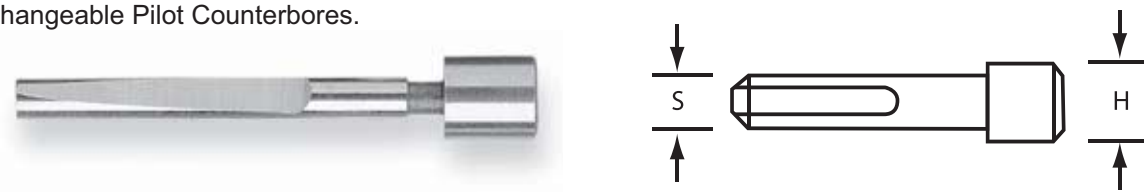


INDUSTRIAL TOOL PRODUCTS

Atıfbey Mah. 61 Sk. No:26 Gaziemir-İzmir-Türkiye
Tel: +90 507 754 35 45 • Fax: +90 (0) 232 99 99 17
Email: info@itp.com.tr
www.itp.com.tr

COUNTERBORE PILOTS

Pilots for interchangeable Pilot Counterbores.

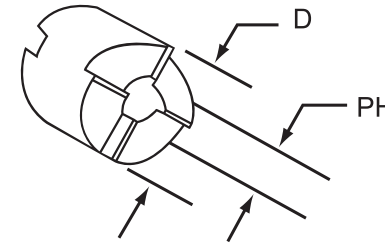


PART NUMBER	PILOT HEAD	DECIMAL	SHANK	UNIT PRICE (\$)
18-419	#40	.0950	3/32	\$ 8.98
18-701	1/8	.1230	3/32	8.98
18-708	1/8	.1230	1/8	8.98
18-418	#30	.1265	3/32	8.98
18-420	#30	.1265	1/8	8.98
18-404	5/32	.1540	3/32	8.98
18-403	5/32	.1540	1/8	8.98
18-714	5/32	.1540	5/32	9.97
18-740	#21	.1570	1/8	9.97
18-739	#20	.1590	3/32	9.97
18-406	#20	.1590	1/8	9.97
36-160	#13	.1830	1/8	9.97
18-703	3/16	.1860	3/32	7.96
18-703A	3/16	.1860	1/8	7.96
18-715	3/16	.1860	5/32	9.97
18-703 B	3/16	.1850	3/16	7.96
18-702	#10	.1915	3/32	7.96
18-702A	#10	.1915	1/8	7.96
18-704	7/32	.2165	3/32	9.97
18-718	7/32	.2165	3/16	9.97
18-705	1/4	.2480	3/32	7.96
18-705A	1/4	.2480	1/8	7.96
18-716	1/4	.2480	5/32	9.97
18-719	1/4	.2480	3/16	7.96
18-744	"F"	.2550	1/8	11.98
18-414	9/32	.2790	1/8	9.97
18-720	9/32	.2790	5/32	9.97
18-706	5/16	.3105	3/32	9.97
18-707A	5/16	.3105	1/8	9.97
18-721	5/16	.3105	5/32	9.97
18-416	5/16	.3105	3/16	9.97
34-941	3/8	.3730	1/8	9.97
33-110	3/8	.3730	5/32	9.97
18-417	3/8	.3730	3/16	9.97
18-722	7/16	.4355	1/8	11.98
18-712	7/16	.4355	3/16	11.98
18-723	1/2	.4980	1/8	11.98
33-107	1/2	.4980	3/16	11.98

REVERSE SPOTFACERS / COUNTERBORES

High Speed Reverse Spotfacers

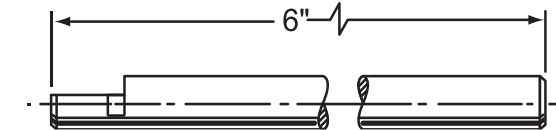
Reverse spotfacers are designed for use in restricted areas where conventional spotfacers cannot be used. All cutters furnished Standard with 1/32" corner radius.



PART NUMBER	"D" CUTTER DIAMETER	"PH" PILOT HOLE	UNIT PRICE (\$)
26-101	1/4	3/32	\$ 32.48
26-102	1/4	1/8	32.48
26-103	5/16	3/32	19.99
26-104	5/16	1/8	32.48
26-105	5/16	5/32	32.48
26-106	3/8	1/8	32.58
18-603	3/8	5/32	32.58
26-107	3/8	3/16	32.58
26-108	7/16	1/8	34.28
26-133	7/16	5/32	34.28
26-109	7/16	3/16	34.28
26-110	1/2	3/16	35.69
26-111	1/2	1/4	35.69
26-112	9/16	3/16	36.59
26-113	9/16	1/4	36.59
18-605	5/8	1/8	19.99
26-114	5/8	3/16	41.68
26-115	5/8	1/4	41.68
26-116	5/8	5/16	41.68
26-117	11/16	1/4	44.17
26-118	11/16	5/16	44.17
26-119	3/4	1/4	55.98
26-120	3/4	3/8	55.98
26-131	3/4	5/16	55.98
18-756	13/16	1/4	19.99
18-113	7/8	5/16	80.28
26-121	7/8	3/8	80.28
26-122	1	3/8	91.97
26-123	1	1/2	91.97

PLAIN ARBORS FOR REVERSE SPOTFACERS / COUNTERBORES

Arbors For Use With Reverse Spotfacers / Countersinks



PART NUMBER	PILOT DIAMETER	UNIT PRICE (\$)
27-101	3/32	\$ 11.98
27-102	1/8	12.48
27-103	5/32	12.97
27-104	3/16	13.98
27-105	1/4	14.47
27-106	5/16	16.47
27-107	3/8	26.68
27-108	1/2	40.48



INDUSTRIAL TOOL PRODUCTS

Atıfbey Mah. 61 Sk. No:26 Gazıemir-İzmir-Türkiye
 Tel: +90 507 754 35 45 • Fax: +90 (0) 232 99 99 17
 Email: info@itp.com.tr
 www.itp.com.tr



INDUSTRIAL TOOL PRODUCTS

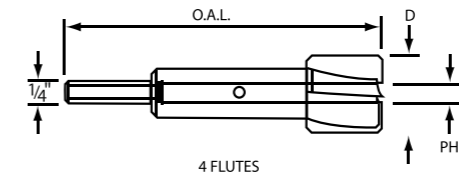
Atıfbey Mah. 61 Sk. No:26 Gazıemir-İzmir-Türkiye
 Tel: +90 507 754 35 45 • Fax: +90 (0) 232 99 99 17
 Email: info@itp.com.tr
 www.itp.com.tr

THREADED SHANK CHATTERLESS COUNTERSINKS

PART NUMBER	SIZE	SHANK	UNIT PRICE (\$)
43-653	5/16" X 100'	1/4-28	\$ 27.48
43-652	3/8" X 100'	1/4-28	34.97



HIGH SPEED STEEL COUNTERBORES WITH 1/4 SHANK



HIGH SPEED STEEL 6 FLUTE CHATTERLESS COUNTERSINKS

PART NUMBER	SIZE	SHANK DIAMETER	SHANK LENGTH	OVERALL LENGTH	UNIT PRICE (\$)
33-503	1/4" X 100°	1/4	-	2	\$ 13.48
33-504	5/16" X 100°	1/4	1	2	13.98
33-505	3/8" X 100°	1/4	1	2	14.98
33-506	1/2" X 100°	1/4	1	2	18.38
33-507	5/8" X 100°	3/8	1-1/8	2-1/2	29.89
33-508	3/4" X 100°	3/8	1-5/16	2-3/4	39.08
33-510	1/4" X 82°	1/4	-	2	14.98
33-511	5/16" X 82°	1/4	1	2	17.47
33-512	3/8" X 82°	1/4	1	2	16.48
33-513	1/2" X 82°	1/4	1	2	18.49



PART NUMBER	SIZE	PILOT HOLE	SHANK DIAMETER	OVERALL LENGTH	FLUTE LENGTH	UNIT PRICE (\$)
18-200	1/4	3/32	1/4	2-3/8	5/8	\$ 27.38
18-201	9/32	3/32	1/4	2-3/8	5/8	27.89
18-202	5/16	3/32	1/4	2-3/8	5/8	28.38
18-203	11/32	3/32	1/4	2-3/8	5/8	28.67
18-204	3/8	3/32	1/4	2-3/8	5/8	29.28
18-205	13/32	1/8	1/4	2-13/16	5/8	29.98
18-206	7/16	1/8	1/4	2-13/16	5/8	29.98
18-207	29/64	1/8	1/4	2-13/16	5/8	33.28
18-208	15/32	1/8	1/4	2-13/16	5/8	30.28
18-209	1/2	1/8	1/4	2-13/16	5/8	30.68
18-210	17/32	1/8	1/4	2-13/16	5/8	32.69
18-211	9/16	1/8	1/4	2-13/16	5/8	34.18
18-212	19/32	1/8	1/4	2-13/16	5/8	39.17
18-213	5/8	1/8	1/4	2-13/16	5/8	37.88
18-214	21/32	3/16	1/4	3-1/8	3/4	42.49
18-215	11/16	3/16	1/4	3-1/8	3/4	42.38
18-216	23/32	3/16	1/4	3-1/8	3/4	60.39
18-217	3/4	3/16	1/4	3-1/8	3/4	44.28
18-218	25/32	3/16	1/4	3-1/8	3/4	49.99
18-219	13/16	3/16	1/4	3-1/8	7/8	47.98
18-220	27/32	3/16	1/4	3-1/8	7/8	59.39
18-221	7/8	3/16	1/4	3-1/8	7/8	48.68
18-222	29/32	3/16	1/4	3-1/8	7/8	62.28
18-223	15/16	3/16	1/4	3-1/8	7/8	51.68
18-224	31/32	3/16	1/4	3-1/8	7/8	72.77
18-225	1	3/16	1/4	3-1/8	7/8	64.79
18-226	1-1/16	3/16	1/4	2-3/4	3/4	95.29
18-227	1-1/8	3/16	1/4	2-3/4	3/4	101.58
18-228	1-3/16	3/16	1/4	2-3/4	3/4	103.77
18-229	1-1/4	3/16	1/4	2-3/4	3/4	109.28

HIGH SPEED STEEL HOLLOW CUTTERS

Designed to fit Standard stop countersinking units so that their cutting depth can be controlled. These tools are used for collar removal on Hi-Shear fasteners. New improved stronger 4 flute design for longer tool life.

PART NUMBER	"D"	"A"	FASTENER SIZE	FASTENER TYPE	UNIT PRICE (\$)
29-908X	.375	.1230	1/8	Hi-Shear	\$ 12.98
29-909X	.375	.1540	5/32	Hi-Shear	13.98
29-910X	.438	.1855	3/16	Hi-Shear	13.98
29-911X	.500	.2460	1/4	Hi-Shear	13.98
29-912X	.562	.3085	5/16	Hi-Shear	15.18
29-913X	.625	.3730	3/8	Hi-Shear	15.98

1/4 - 28 Thread



RIVET SHAVERS

2 Flute Carbide Tipped For Long Cutting Life

PART NUMBER	BODY DIAMETER	SHANK	UNIT PRICE (\$)
30-601	5/16	1/4-28	\$ 43.48
30-602	3/8	1/4-28	42.38
30-603	7/16	1/4-28	44.89
30-604	1/2	1/4-28	48.68
30-605	9/16	1/4-28	45.79
30-606	5/8	1/4-28	53.28

1/4 - 28 Thread



HIGH SPEED STEEL COUNTERBORES - NO RADIUS

PART NUMBER	SIZE	PILOT HOLE	OVERALL LENGTH	FLUTE LENGTH	UNIT PRICE (\$)
18-207SQ	29/64	1/8	2-13/16	5/8	\$ 33.28
18-211SQ	9/16	1/8	2-13/16	5/8	34.18

SUPPLIED WITH NO RADIUS



INDUSTRIAL TOOL PRODUCTS

Atıfbey Mah. 61 Sk. No:26 Gaziemir-İzmir-Türkiye
Tel: +90 507 754 35 45 • Fax: +90 (0) 232 99 99 17
Email: info@itp.com.tr
www.itp.com.tr



INDUSTRIAL TOOL PRODUCTS

Atıfbey Mah. 61 Sk. No:26 Gaziemir-İzmir-Türkiye
Tel: +90 507 754 35 45 • Fax: +90 (0) 232 99 99 17
Email: info@itp.com.tr
www.itp.com.tr

MICRO-STOP COUNTERSINK CAGES

Ali Bronze Bearing Construction • .001 Increment Depth Adjustment • Positive Adjustment Lock



5/8 Heavy Duty Bearing Countersink Cage Part #19-363

- 1/4" Diameter Chucking Shank
- Precision Heavy Duty Twin Radial Ball Bearing Construction
- 9/32" Shaft Travel
- 5/8" Cutter Capacity
- 1/4-28 Threaded Shaft with Polished Foot
- Rated at 10,000 RPM
- **\$49.98 Each**



5/8 Heavy Duty Bearing Countersink Cage - Nylon Footpiece Part #19-366

- 1/4" Diameter Chucking Shank
- Precision Heavy Duty Twin Radial Ball Bearing Construction
- 9/32" Shaft Travel
- 5/8" Cutter Capacity
- 1/4-28 Threaded Shaft
- Rated at 10,000 RPM
- **\$59.99 Each**



5/8 Capacity Countersink Cage Part #19-359

- 1/4" Diameter Chucking Shank
- 9/32" Shaft Travel
- 5/8" Cutter Capacity
- 1/4-28 Threaded Shaft with Polished Foot
- Rated at 3,000 RPM
- **\$29.98 Each**



1/2 Capacity Midget Countersink Cage Part #19-361

- 1/4" Diameter Chucking Shank
- 9/32" Shaft Travel
- 1/2" Cutter Capacity
- 1/4-28 Threaded Shaft with Polished Foot
- Rated at 3,000 RPM
- **\$39.99 Each**

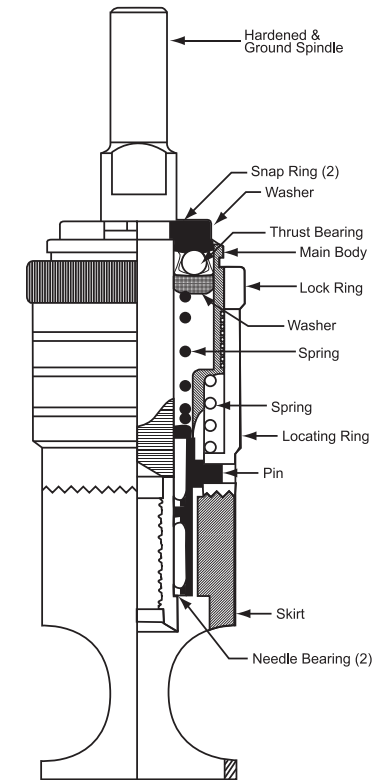
- **Part #19-370 With Nylon Foot Piece**
- **\$49.98 Each**

MICRO-STOP COUNTERSINK CAGES NEEDLE BEARING



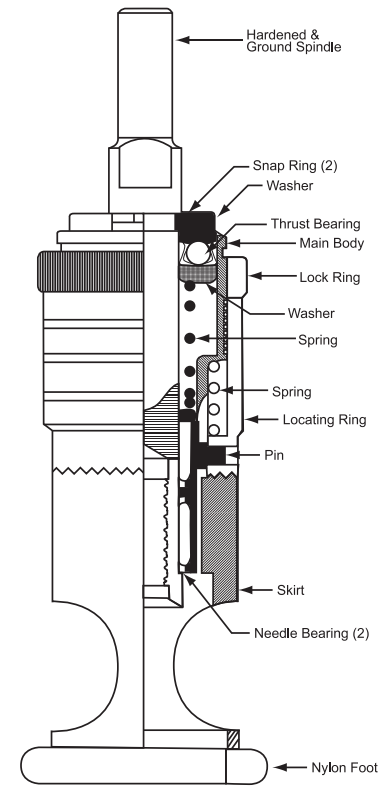
Needle Bearing Micro-Stop Countersink Cage Part #19-367

- 1/4" Diameter Chucking Shank
- 9/32" Shaft Travel
- 5/8" Cutter Capacity
- 1/4-28 Threaded Shaft with Polished Foot
- Rated at 10,000 RPM
- **\$49.98 Each**



Needle Bearing Micro-Stop Countersink Cage Part #19-365

- 1/4" Diameter Chucking Shank
- 9/32" Shaft Travel
- 9/16" Cutter Capacity
- 1/4-28 Threaded Shaft
- Rated at 10,000 RPM
- Nylon Threaded No-Mar Foot Piece
- **\$61.98 Each**



INDUSTRIAL TOOL PRODUCTS

Atıfbey Mah. 61 Sk. No:26 Gaziemir-İzmir-Türkiye
Tel: +90 507 754 35 45 • Fax: +90 (0) 232 99 99 17
Email: info@itp.com.tr
www.itp.com.tr

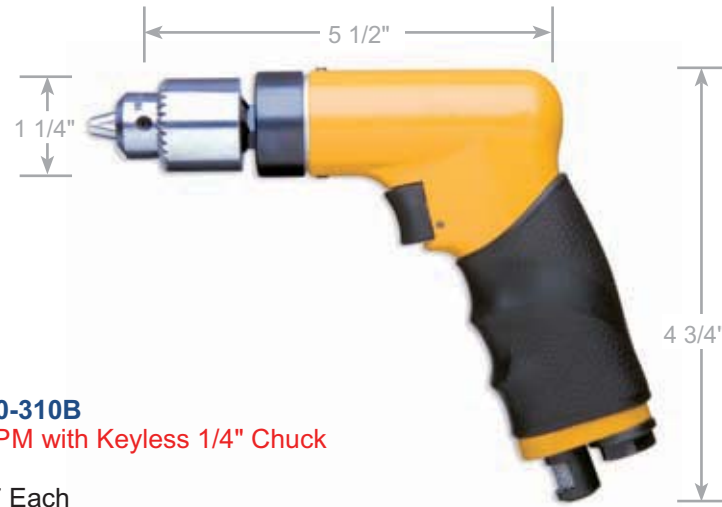


INDUSTRIAL TOOL PRODUCTS

Atıfbey Mah. 61 Sk. No:26 Gaziemir-İzmir-Türkiye
Tel: +90 507 754 35 45 • Fax: +90 (0) 232 99 99 17
Email: info@itp.com.tr
www.itp.com.tr

NOVA COMPACT PISTOL GRIP DRILL 2600, 3200, or 4000 RPM

- Feathering Trigger Allows Operator Complete Control of Drilling Speed
- 360° Rotatable Exhaust
- Smooth Quiet Operation
- Rubber Grip for Operator Comfort
- One Year Warranty



Part #60-300
2600 RPM with 1/4" Chuck and Key
1.5 Lbs.
\$225.98 Each

Part #60-300B
2600 RPM with Keyless 1/4" Chuck
1.9 Lbs.
\$269.97 Each

Part #60-310
4000 RPM with 1/4" Chuck and Key
1.5 Lbs.
\$225.98 Each

Part #60-310B
4000 RPM with Keyless 1/4" Chuck
1.9 Lbs.
\$269.97 Each

Part #60-312
3200 RPM with 1/4" Chuck and Key
1.5 Lbs.
\$225.98 Each

Part #60-312B
3200 RPM with Keyless 1/4" Chuck
1.9 Lbs.
\$269.97 Each

NOVA 700 RPM HIGH TORQUE PISTOL GRIP DRILL

- 95 In.-Lbs. Torque at 700 RPM
- Feathering Trigger Allows Operator Complete Control of Drilling Speed
- 360° Rotatable Exhaust
- Air Inlet 1/4-18 NPT
- Rubber Grip for Operator Comfort
- Smooth Quiet Operation



Part #60-008B
Standard with Compact 3/8" Chuck and Key
2.55 Lbs.
\$369.98 Each

Part #60-008H
With Keyless 1/4" Capacity Chuck
2.6 Lbs.
\$429.97 Each

Part #60-008K
With Keyless 3/8" Capacity Chuck
2.9 Lbs.
\$469.99 Each

NOVA COMPLETE MOTOR MOUNTED MICRO-STOP CAGE 2600,3200 or 4000 RPM



Also Available With Nylon Foot Piece

- For Precision Depth Control
- Feathering Trigger Allows Operator Complete Control of Speed
- 360° Rotatable Exhaust
- Air Inlet 1/4-18 NPT
- Smooth Quiet Operation
- One Year Warranty

Part #19-369
2600 RPM Pistol Grip Drill
1.6 Lbs.
\$305.98 Each

Part #19-369A
3200 RPM Pistol Grip Drill
1.6 Lbs.
\$305.98 Each

Part #19-369B
4000 RPM Pistol Grip Drill
1.6 Lbs.
\$305.98 Each

Part #19-369N - with Nylon Foot Piece
2600 RPM Pistol Grip Drill
1.6 Lbs.
\$319.99 Each

Part #19-369AN - with Nylon Foot Piece
3200 RPM Pistol Grip Drill
1.6 Lbs.
\$319.99 Each

Part #19-369BN - with Nylon Foot Piece
4000 RPM Pistol Grip Drill
1.6 Lbs.
\$319.99 Each



INDUSTRIAL TOOL PRODUCTS

Atıfbey Mah. 61 Sk. No:26 Gaziemir-İzmir-Türkiye
Tel: +90 507 754 35 45 • Fax: +90 (0) 232 99 99 17
Email: info@itp.com.tr
www.itp.com.tr



INDUSTRIAL TOOL PRODUCTS

Atıfbey Mah. 61 Sk. No:26 Gaziemir-İzmir-Türkiye
Tel: +90 507 754 35 45 • Fax: +90 (0) 232 99 99 17
Email: info@itp.com.tr
www.itp.com.tr